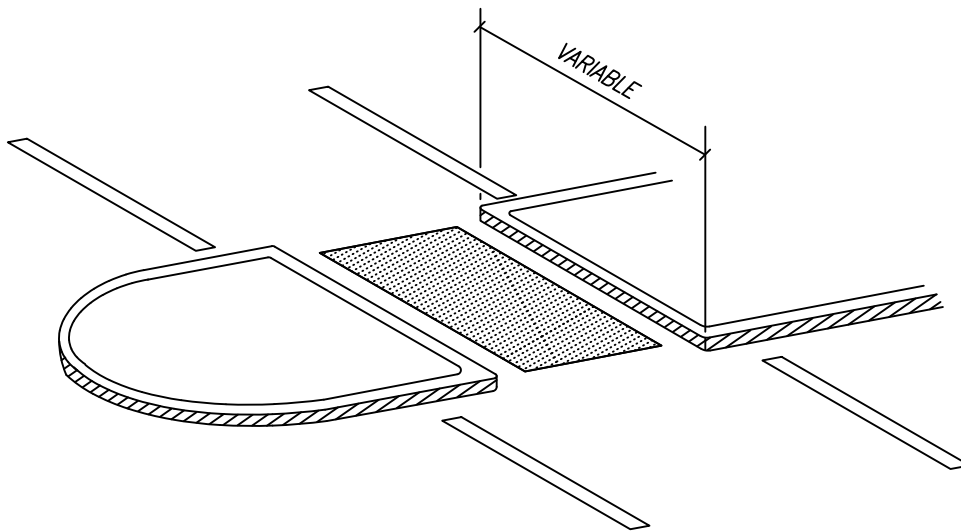


TYPE 20



TYPE 21



CITY OF HUTTO
 CONSTRUCTION STANDARDS AND DETAILS

**CURB RAMP AT
 MEDIAN ISLANDS**
 ENGINEERING & PUBLIC WORKS

DRAWING NO. ST13

UPDATED: 02/01/2019

DRAWN BY: BB

SCALE: N.T.S.

FILE NAME: ST13.DWG