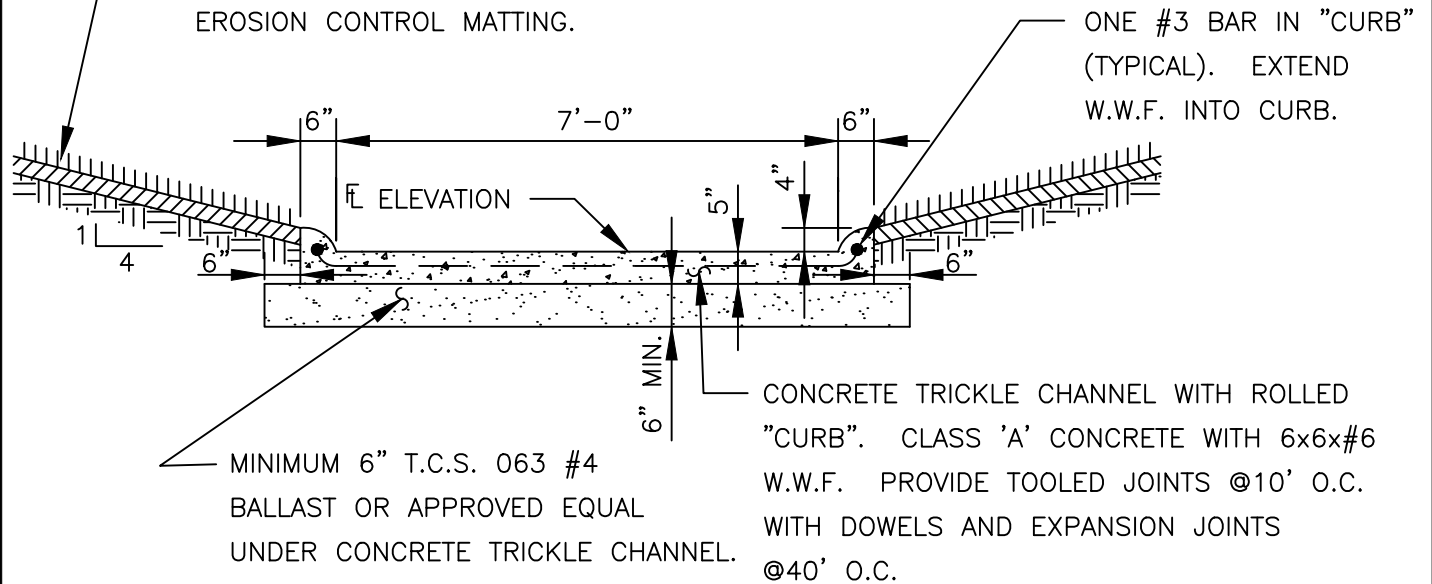


SLOPE TO NATURAL GROUND @4:1 MAXIMUM SLOPE  
UNLESS OTHERWISE DIRECTED BY THE ENGINEER (TYPICAL).  
PROVIDE 4" TOPSOIL AND REVEGETATE WITH SOLID BERMUDA  
GRASS SOD OR HYDRAULIC SEEDING STABILIZED WITH  
EROSION CONTROL MATTING.



**CITY OF HUTTO**  
CONSTRUCTION STANDARDS AND DETAILS

**CONCRETE  
TRICKLE CHANNEL**  
ENGINEERING & PUBLIC WORKS

DRAWING NO. SD08

UPDATED: 02/01/2019

DRAWN BY: BB

SCALE: N.T.S.

FILE NAME: SD08.DWG