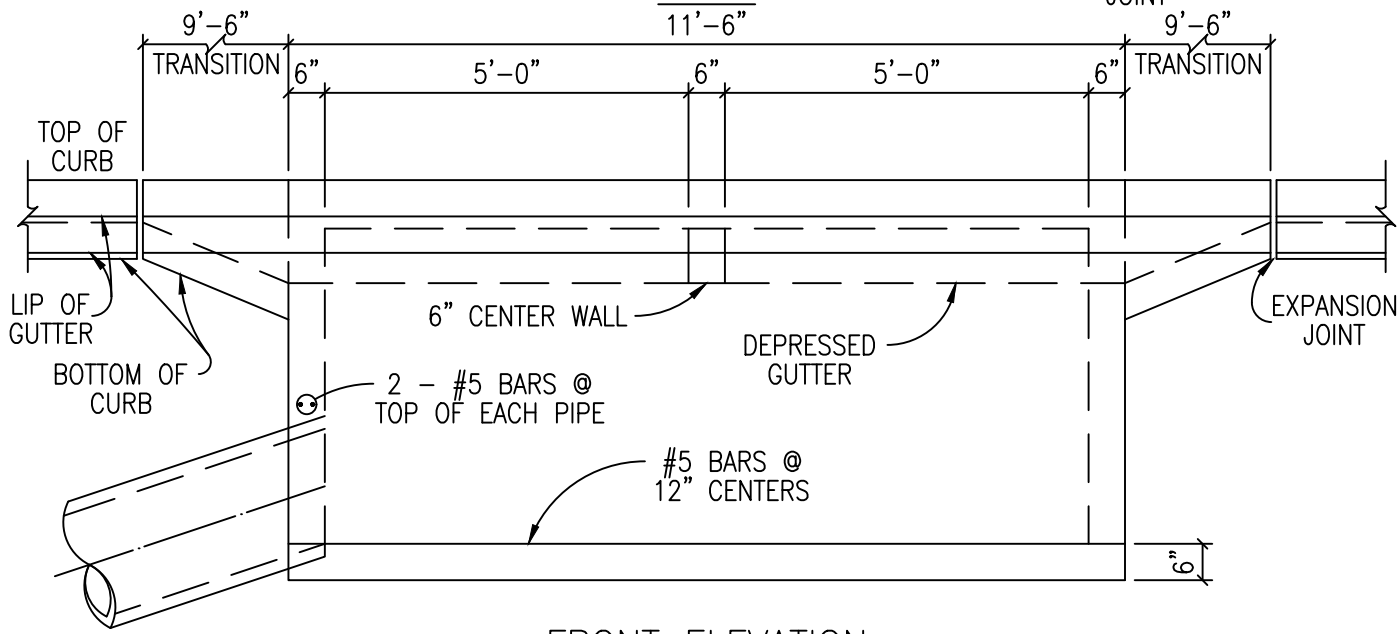


PLAN



FRONT ELEVATION

NOTES:

1. ALL CONCRETE SHALL BE CLASS "A" 3,000 PSI CONCRETE.
2. STORM SEWER PIPE MATERIAL TO BE R.C.P. (CLASS III) UNLESS OTHERWISE APPROVED BY THE CITY OF HUTTO.



CITY OF HUTTO
 CONSTRUCTION STANDARDS AND DETAILS
CURB INLET
 ENGINEERING & PUBLIC WORKS

DRAWING NO.	SD10
UPDATED:	02/01/2019
DRAWN BY:	BB
SCALE:	N.T.S.
FILE NAME:	SD10.DWG