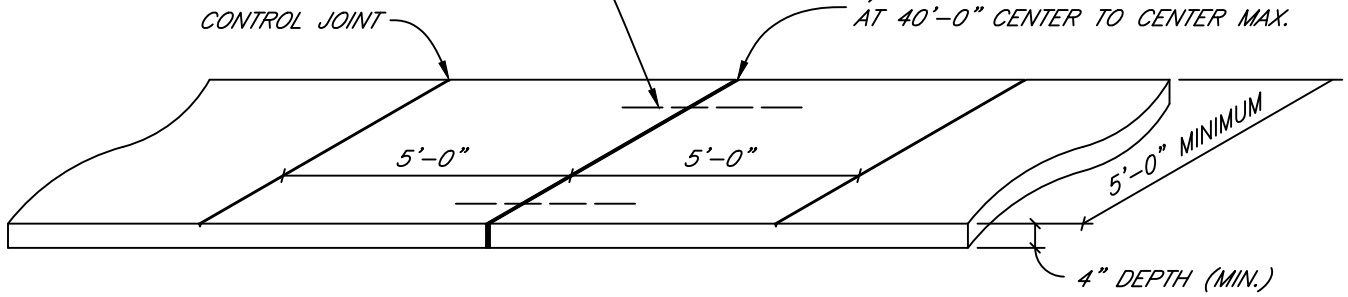
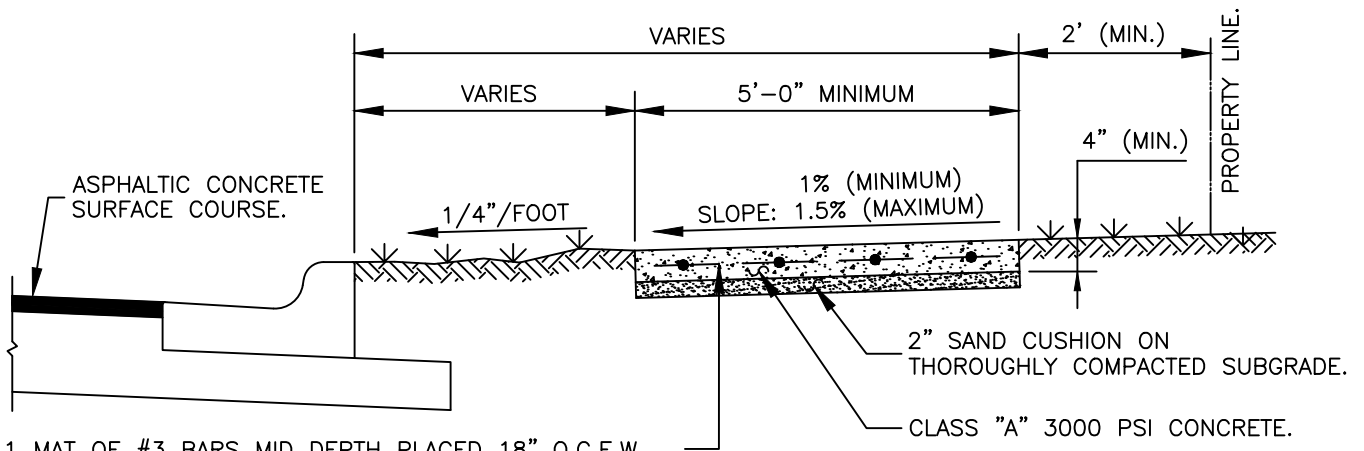


16" SMOOTH DOWELS WITH DOWEL COATING/SLEEVE PER EXPANSION JOINT ON DETAIL ST02: RESIDENTIAL DWY.

1/2" PREMOLDED EXPANSION JOINT AT 40'-0" CENTER TO CENTER MAX.

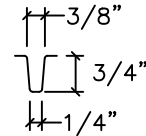


PLAN



1 MAT OF #3 BARS MID DEPTH PLACED 18" O.C.E.W MAX. REBAR MAT MUST BE SUPPORTED WITH SOLID CONCRETE BRICKS, MIN 3"x3", MAX. 4"x4", OR OTHER APPROVED METHODS. IN NO INSTANCE SHALL THE STEEL BE PLACED DIRECTLY ON SAND CUSHION OR SUBGRADE.

SECTION



CONTROL JOINT DETAIL

NOTES:

1. FOR ROLLER STAMPED SIDEWALK: MATCH TO SPECIFICATIONS.
2. STANDARD LOCATION OF SIDEWALK IS OFF BACK OF CURB. SPECIAL DESIGNS MAY BE APPROVED BY THE CITY ENGINEER, PRIOR TO FINAL DESIGN.
3. SIDEWALK SHALL CONFORM TO CURRENT AMERICANS WITH DISABILITIES ACT STANDARDS.
4. IF REQUIRED ALL SIDEWALKS SHALL BE SUBMITTED AND APPROVED BY THE TEXAS DEPARTMENT OF LICENSING AND REGULATION BY THE ENGINEER OF RECORD.
5. ANY VARIANCE IN TEXTURE, GRADE OR ALIGNMENT MUST BE APPROVED BY THE TEXAS DEPARTMENT OF LICENSING AND REGULATION.



CITY OF HUTTO
CONSTRUCTION STANDARDS AND DETAILS
SIDEWALK

ENGINEERING & PUBLIC WORKS

DRAWING NO.	ST04
UPDATED:	02/01/2019
DRAWN BY:	BB
SCALE:	N.T.S.
FILE NAME:	ST04.DWG