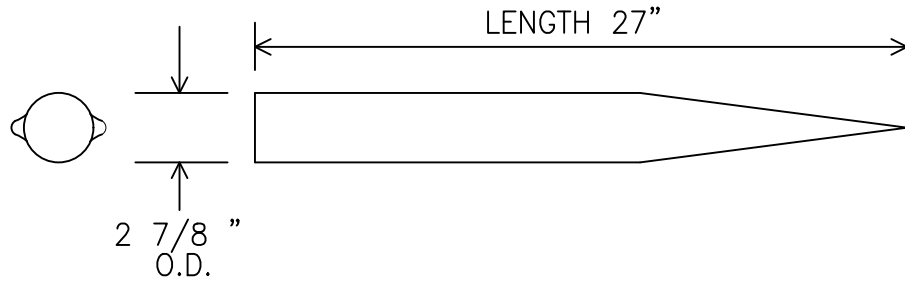
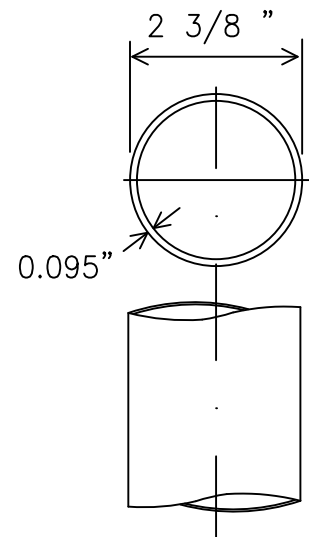
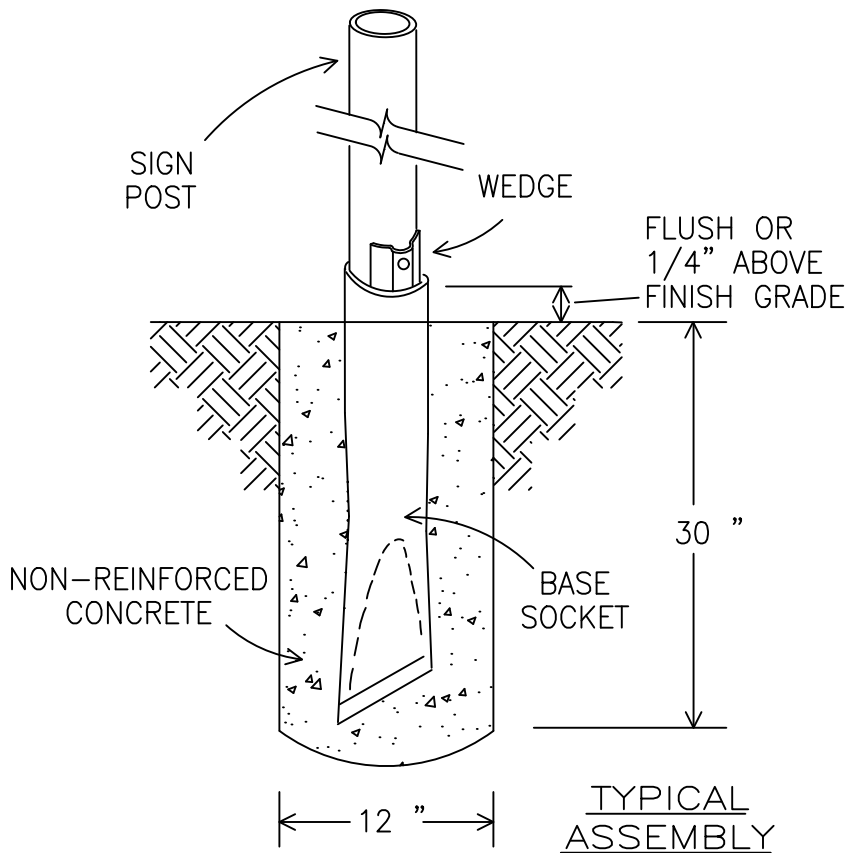


WEDGE



BASE SOCKET



SIGN POST



**CITY OF HUTTO**  
 CONSTRUCTION STANDARDS AND DETAILS  
**POZ-LOC**  
 (BREAKAWAY FOUNDATION)  
 ENGINEERING & PUBLIC WORKS

|             |            |
|-------------|------------|
| DRAWING NO. | ST06       |
| UPDATED:    | 02/01/2019 |
| DRAWN BY:   | BB         |
| SCALE:      | N.T.S.     |
| FILE NAME:  | ST06.DWG   |