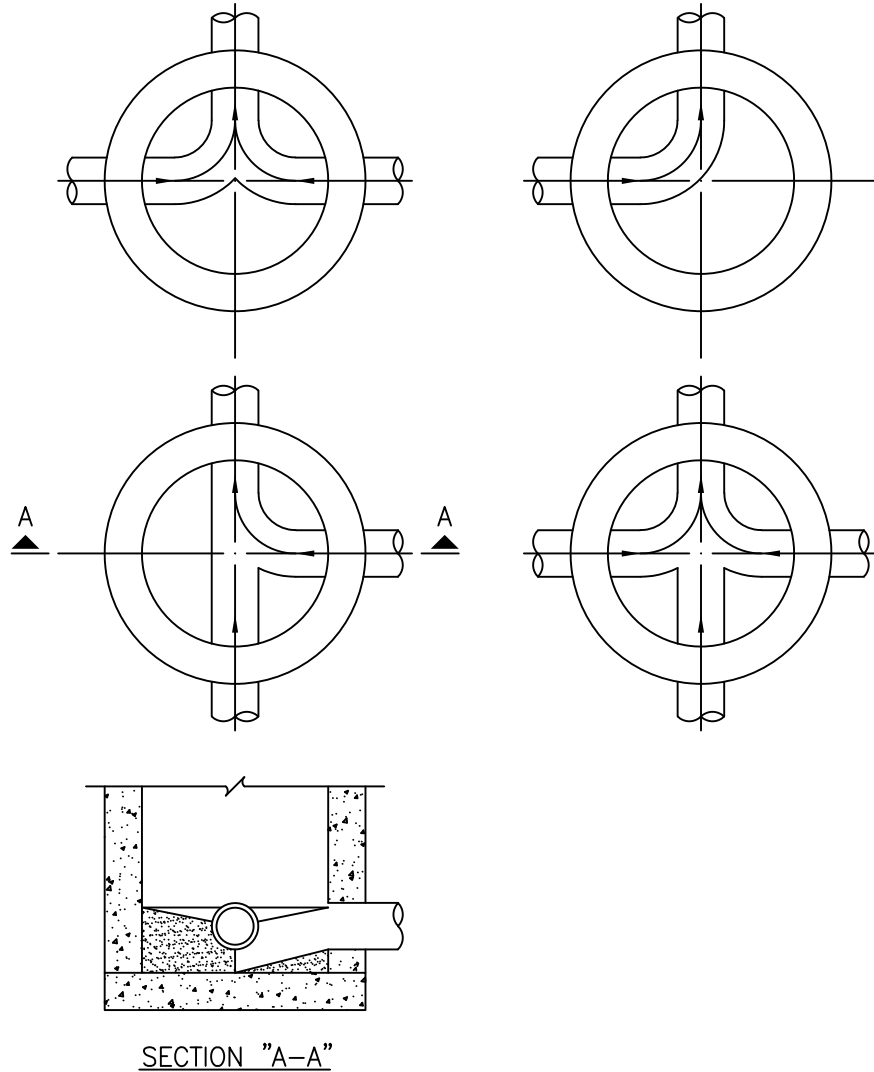


## FLOW PATTERNS FOR INVERT CHANNELS



**NOTES:**

1. INVERT CHANNELS TO BE CONSTRUCTED FOR SMOOTH FLOW WITH NO OBSTRUCTIONS.
2. SPILLWAYS SHALL BE CONSTRUCTED BETWEEN PIPES WITH DIFFERENT INVERT ELEVATIONS PROVIDING FOR SMOOTH FLOW.
3. CHANNELS FOR FUTURE CONSTRUCTIONS (STUBS) SHALL BE CONSTRUCTED, FILLED WITH SAND, AND COVERED WITH 1" OF MORTAR.
4. SLOPE MANHOLE ITSELF WITH A 1:2 SLOPE FROM MANHOLE WALL TO CHANNEL.
5. INVERT SHALL BE A MINIMUM OF 1/2 THE DIAMETER OF THE LARGEST PIPE OR 4" DEEP.



**CITY OF HUTTO**  
CONSTRUCTION STANDARDS AND DETAILS

**FLOW PATTERNS FOR  
INVERT CHANNELS**  
ENGINEERING & PUBLIC WORKS

DRAWING NO. WW07

UPDATED: 04/01/2019

DRAWN BY: BB

SCALE: N.T.S.

FILE NAME: WW07.DWG