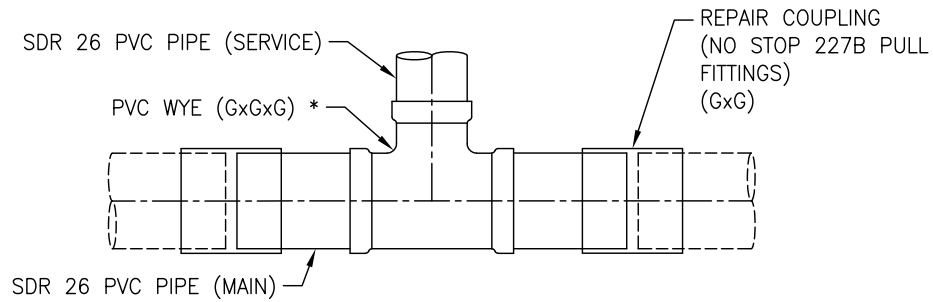
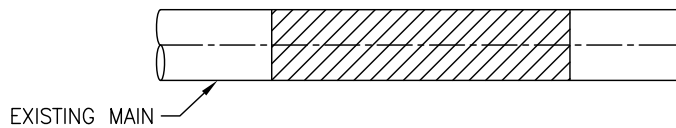


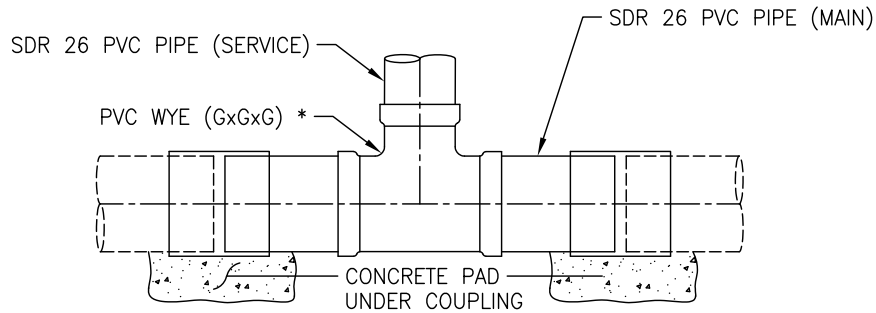
REMOVAL



REPLACEMENT FOR EXISTING PVC MAIN



REMOVAL



REPLACEMENT FOR EXISTING CONCRETE, CLAY, AND AC MAIN

NOTES

1. ALL WASTEWATER PIPING SHALL HAVE ELASTOMERIC GASKET TYPE JOINTS AND SLOPE DOWNWARD TO MAIN ONE PERCENT (1%) MINIMUM TO FORTY-FIVE PERCENT (45%) MAXIMUM.
2. DEPTH OF SERVICE AT PROPERTY LINE WILL BE SHOWN ON PLANS BY ENGINEER IF GREATER THAN FOUR FEET (4'), OTHERWISE THE INSTALLED DEPTH WILL BE FOUR FOOT (4') MINIMUM AND SIX FEET (6') MAXIMUM AT PROPERTY LINE.
3. REPLACE THE BEDDING AND BACKFILL IN ACCORDANCE WITH THE TRENCH EMBEDMENT DETAIL.



CITY OF HUTTO
CONSTRUCTION STANDARDS AND DETAILS
GASKETED SEWER FITTING FOR
SERVICE TO EXISTING MAIN
ENGINEERING & PUBLIC WORKS

DRAWING NO. WW13

UPDATED: 02/01/2019

DRAWN BY: BB

SCALE: N.T.S.

FILE NAME: WW13.DWG