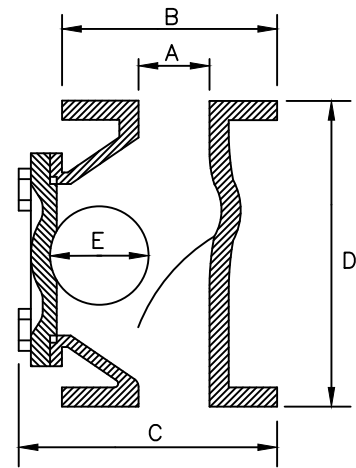


A	B	C	D	E
4"	9"	11 1/8"	12 1/4"	4 3/4"

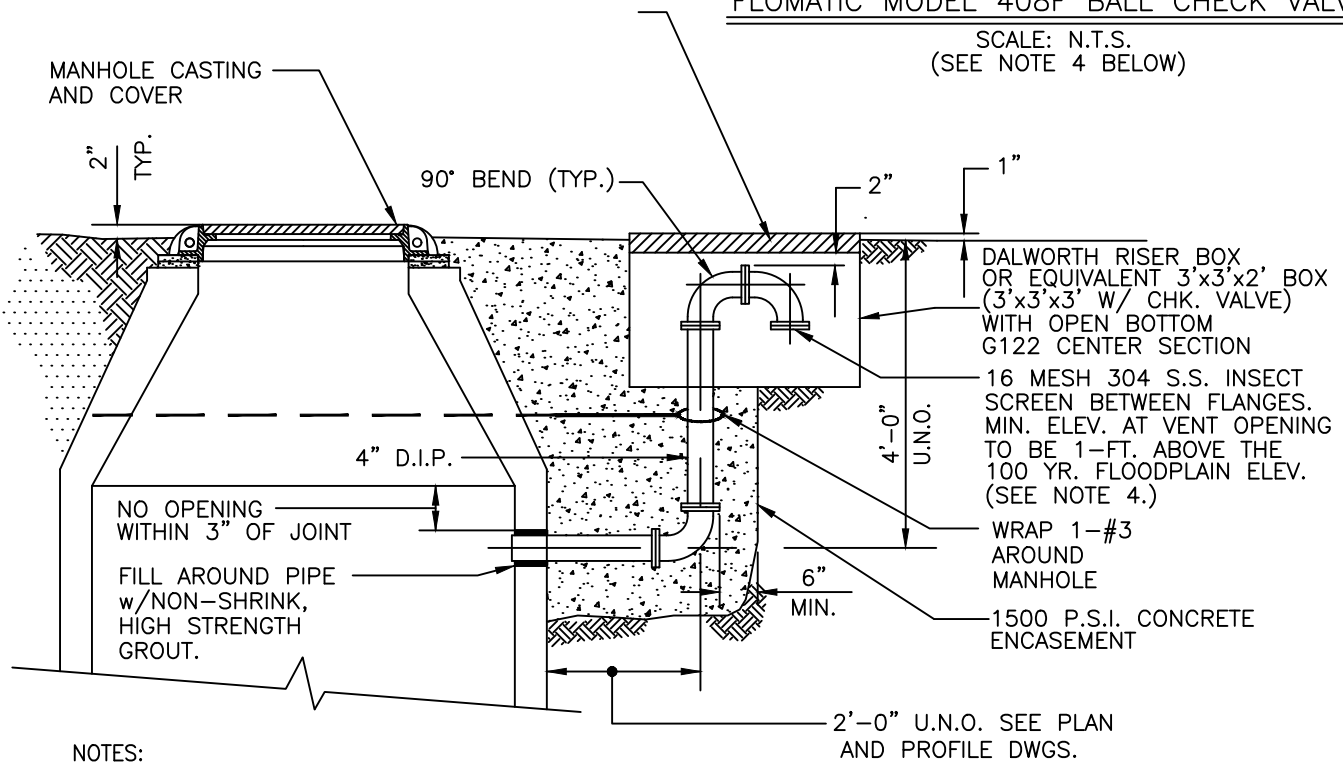


SECTION

TOP OF GRATE OR BOLT DOWN H2O COVER  
(6" ABOVE TOP OF CURB WHERE APPLICABLE)

FLOMATIC MODEL 408F BALL CHECK VALVE

SCALE: N.T.S.  
(SEE NOTE 4 BELOW)



NOTES:

1. AIR INTAKE PIPE TO BE D.I.P., CLASS 53 WITH FLANGED CONNECTIONS.
2. ALL FITTINGS TO BE 150 PSIG RATED & ANSI/AWWA C110/A21.10.
3. SURFACE PREP ABOVE GROUND PIPING TO SSPC10-63, N.A.C.E. NO.2 STANDARD. APPLY EPOXY PRIMER 2-4 MIL, DFT FOLLOWED BY 2 COATS OF AMINE ADDUCT CURED, HIGH-BUILD EPOXY (TWO COMPONENT EPOXY POLYAMIDE) 8-10 MIL DFT, NON-LEAD CEDAR GREEN COLOR.
4. IF ELEVATION OF VENT OPENING IS LESS THAN 1-FT. ABOVE 100 YR. FLOODPLAIN, FLOMATIC MODEL 408F BALL CHECK VALVE OR EQUAL WITH FLOATING TYPE BALL TO BE INSTALLED AT DOWNTURNED OPENING OF VENT. (SEE DIMENSIONAL DETAIL ABOVE RIGHT). 16 MESH 304 S.S. INSECT SCREEN TO BE PLACED IN THE OPENING.



**CITY OF HUTTO**  
CONSTRUCTION STANDARDS AND DETAILS  
**MANHOLE VENT FOR BELOW GROUND INSTALLATION**  
ENGINEERING & PUBLIC WORKS

DRAWING NO.	WW19
UPDATED:	02/01/2019
DRAWN BY:	BB
SCALE:	N.T.S.
FILE NAME:	WW19.DWG