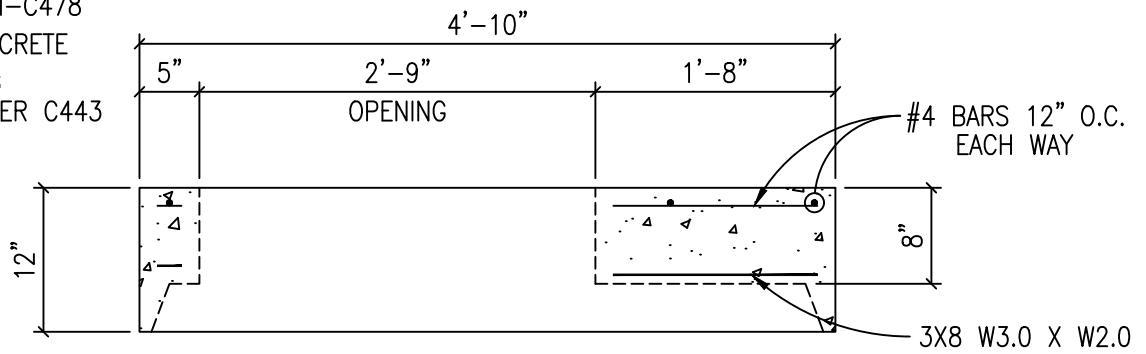


M.F.G. PER ASTM-C478
 5000 P.S.I. CONCRETE
 TRAFFIC BEARING
 O-RING JOINT PER C443



NOTES:

1. AVAILABLE WITH CAST IRON RING AND COVER CAST IN PLACE.
2. PERMITTED ONLY WITH WRITTEN APPROVAL.



CITY OF HUTTO
 CONSTRUCTION STANDARDS AND DETAILS

**48" MANHOLE
 FLAT LID**
 ENGINEERING & PUBLIC WORKS

DRAWING NO. WW21

UPDATED: 02/01/2019

DRAWN BY: BB

SCALE: N.T.S.

FILE NAME: WW21.DWG