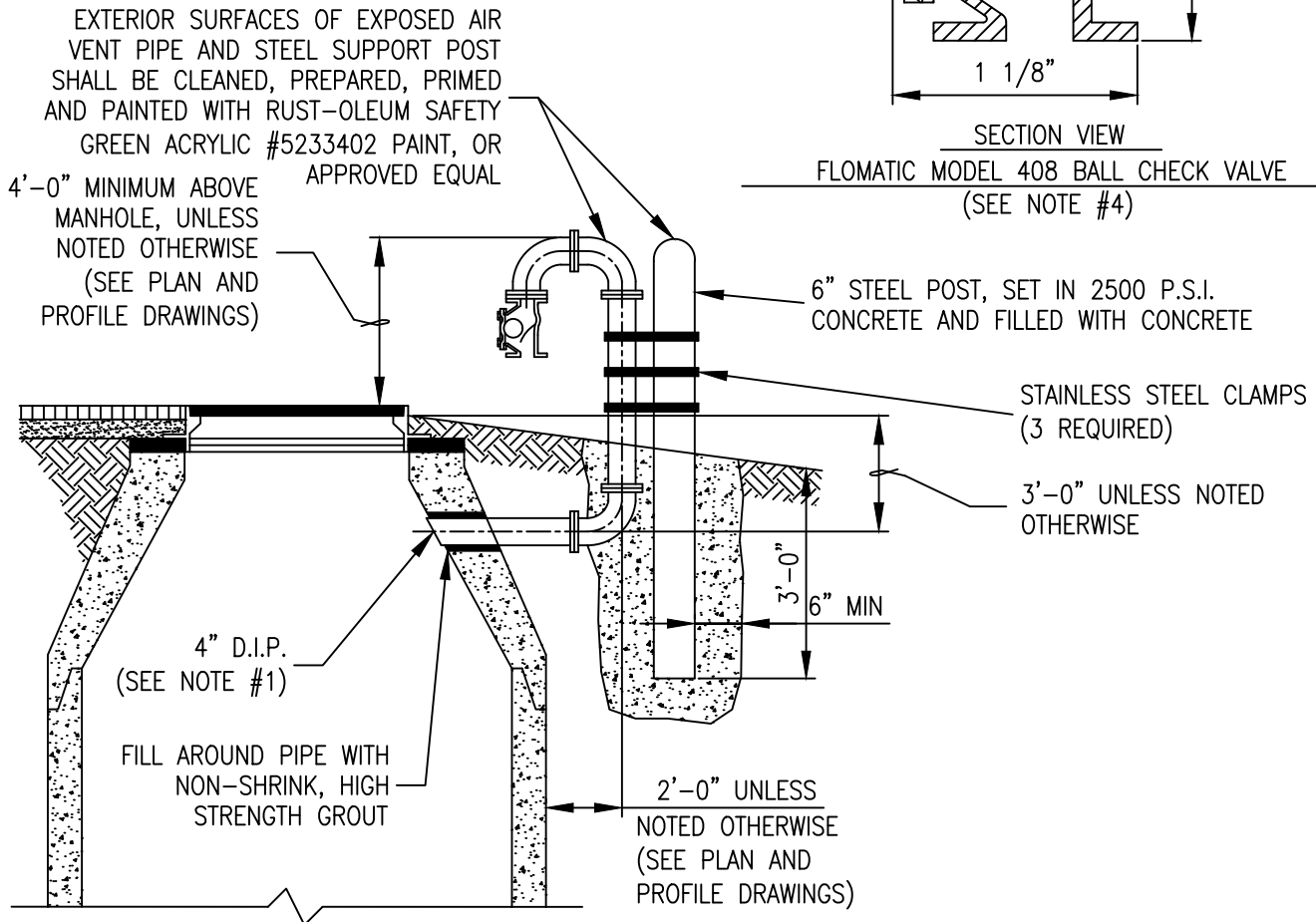


SECTION VIEW
 FLOMATIC MODEL 408 BALL CHECK VALVE
 (SEE NOTE #4)



NOTES:

1. AIR VENT PIPE TO BE 4" D.I.P., CLASS 53 WITH FLANGED CONNECTIONS.
2. ALL FITTINGS TO BE 150 PSIG RATED & ANSI/AWWA C110/A21.10.
3. AIR VENT PIPE RISER SHALL BE INSTALLED TO A MINIMUM DEPTH FROM GROUND SURFACE AS POSSIBLE, PREFERABLY LOCATED IN THE CONCENTRIC CONCRETE CONE.
4. MINIMUM ELEVATION AT THE VENT OPENING SHALL BE 1 FOOT (1'-0") ABOVE THE ULTIMATE 100 YEAR FLOOD PLAIN ELEVATION. IF ELEVATION OF VENT OPENING IS LESS THAN 1 FOOT (1'-0") ABOVE THE ULTIMATE 100 YEAR FLOOD PLAIN ELEVATION, A FLOMATIC MODEL 408, PART #2145 BALL CHECK VALVE, OR APPROVED EQUAL, WITH FLOATING TYPE BALL, SHALL BE INSTALLED AT DOWN TURNED OPENING OF VENT. A 16 MESH 304 STAINLESS STEEL INSECT SCREEN SHALL BE PLACED IN THE OPENING.



CITY OF HUTTO
 CONSTRUCTION STANDARDS AND DETAILS
MANHOLE VENT FOR ABOVE
GROUND INSTALLATION
 ENGINEERING & PUBLIC WORKS

DRAWING NO.	WW23
UPDATED:	02/01/2019
DRAWN BY:	BB
SCALE:	N.T.S.
FILE NAME:	WW23.DWG