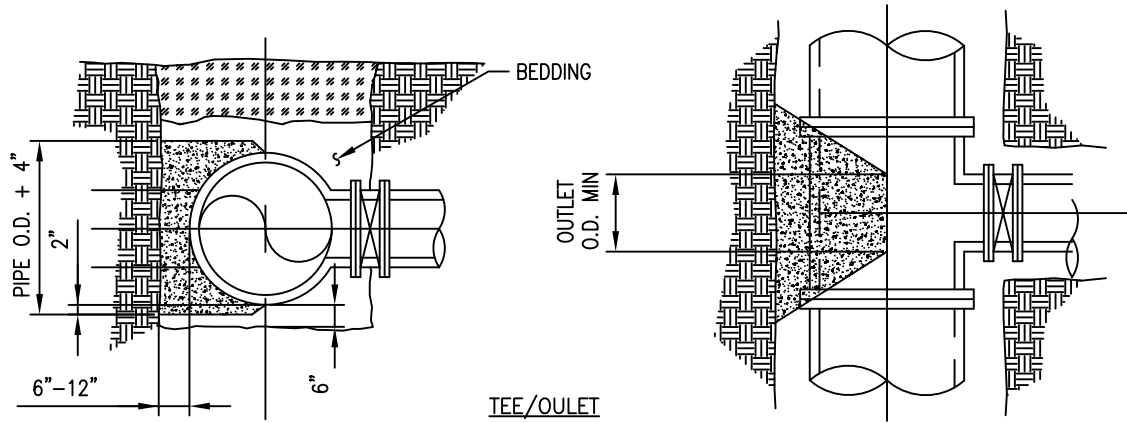
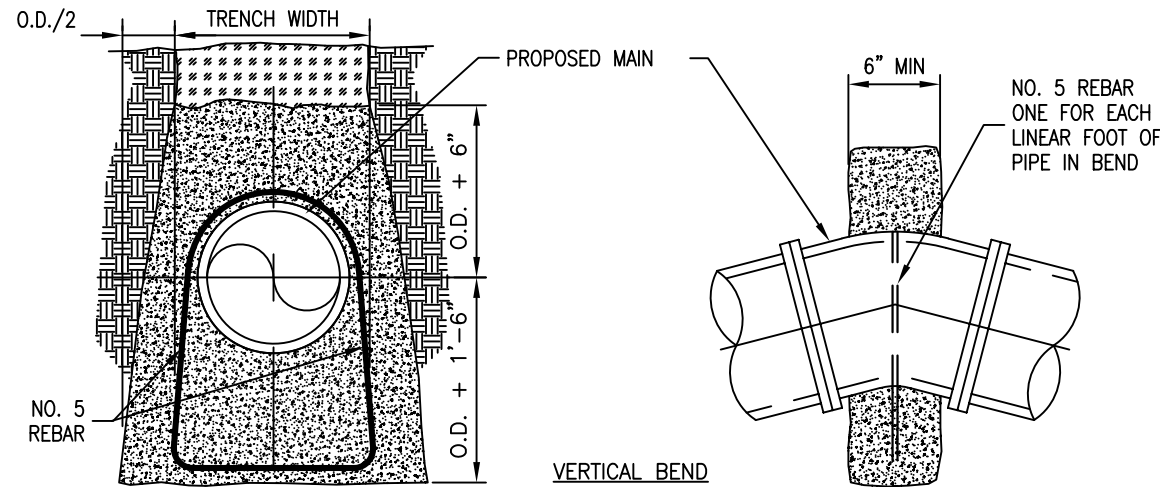


HORIZONTAL BEND



TEE/OUTLET



VERTICAL BEND

THRUST BLOCK DESIGN AS FOLLOWS:

- A. PRESSURE OF 150 P.S.I. (ACTUAL IF HIGHER +50% SURGE ALLOWANCE)
- B. MAXIMUM SOIL BEARING:

SOIL TYPE	PRESSURE
LIMESTONE	4000 LBS/SQ. FT.
UNDISTURBED SOIL CALICHE	2000 LBS/SQ. FT.
LOOSE OR SPONGY SOIL	1500 LBS/SQ. FT.



CITY OF HUTTO
 CONSTRUCTION STANDARDS AND DETAILS
TYPICAL THRUST BLOCKS FOR
WATER LINES AND FORCE MAINS
 ENGINEERING & PUBLIC WORKS

DRAWING NO.	W11
UPDATED:	04/01/2019
DRAWN BY:	BB
SCALE:	N.T.S.
FILE NAME:	W11.DWG