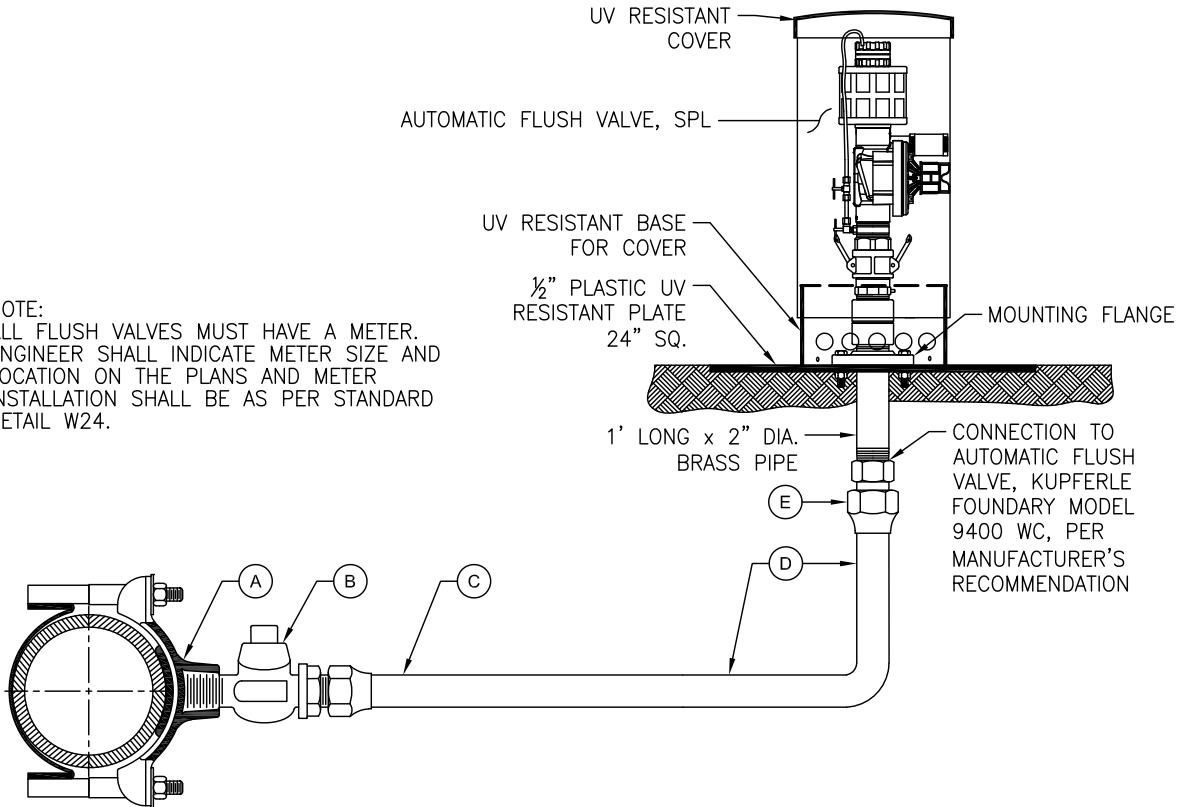


NOTE:  
 ALL FLUSH VALVES MUST HAVE A METER.  
 ENGINEER SHALL INDICATE METER SIZE AND  
 LOCATION ON THE PLANS AND METER  
 INSTALLATION SHALL BE AS PER STANDARD  
 DETAIL W24.



- A. 2" EPOXY COATED STAINLESS BAND TAP SADDLE, JCM OR SMITHBLAIR
- B. 2" POLY TUBING WATER SERVICE EXTENDED BEYOND PAVEMENT
- C. 2" POLY TUBING
- D. 2" BRASS COUPLING, COMPRESSION x FIP

NOTES:

1. ALL AUTOMATIC FLUSH VALVES SHALL HAVE A METER.
2. AUTOMATIC FLUSH VALVE MAY ALSO BE USED ON TAPPED PLUGS AND CAPS.
3. THE CONTRACTOR SHALL PROVIDE THE FLUSH VALVE ACCESS KEY TO CITY OF HUTTO WATER UPON FLUSH VALVE ACCEPTANCE.
4. METER BOX AND FLUSH VALVE SHALL NOT BE LOCATED IN A SIDEWALK, DRIVEWAY, PEDESTRIAN WAY OR TRAFFIC WAY.
5. A DRAINAGE WAY, CONTAINED WITHIN THE R.O.W. OR AN EASEMENT, SHALL BE PROVIDED FROM FLUSH VALVE TO STORM SEWER SYSTEM OR PUBLIC DRAINAGE WAY. THIS DRAINAGE WAY SHALL BE CONSTRUCTED OF CONCRETE OR OTHER CITY ENGINEER APPROVED MATERIAL TO PREVENT EROSION.
6. DESIGN ENGINEER SHALL PROVIDE CALCULATIONS WITH PLANS AT THE TIME OF REVIEW INCLUDING FREQUENCY AND FLUSH RATE REQUIRED TO CIRCULATE WATER IN DEAD END MAIN EVERY 72 HOURS.



**CITY OF HUTTO**  
**CONSTRUCTION STANDARDS AND DETAILS**  
**AUTOMATIC**  
**FLUSH VALVES**  
**ENGINEERING & PUBLIC WORKS**

DRAWING NO.	W13
UPDATED:	04/01/2019
DRAWN BY:	BB
SCALE:	N.T.S.
FILE NAME:	W13.DWG