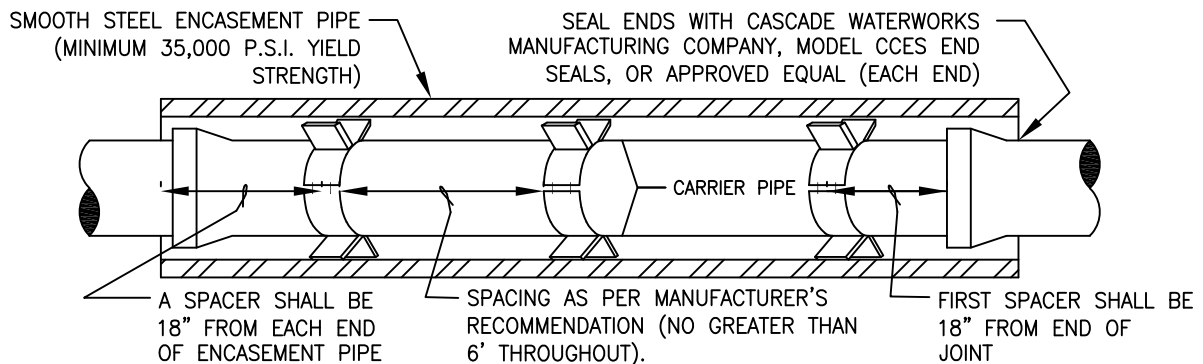


PIPE SIZE-CARRIER (DIAMETER, INCHES)	PIPE SIZE-CASING (MINIMUM DIAMETER, INCHES)	MINIMUM PIPE THICKNESS (INCHES)
6	16	1 / 4 0.2500
8	18	1 / 4 0.2500
10	20	5 / 16 0.3125
12 ~ 14	24	3 / 8 0.3750
16 ~ 18	30	7 / 16 0.4375
20	36	1 / 2 0.5000
24	42	1 / 2 0.5000
30	48	1 / 2 0.5000



NOTES:

1. CASING SPACER CONFIGURATION AND SPACING SHALL BE AS SHOWN ON MANUFACTURER'S DRAWINGS FOR SPECIFIC WORK; THESE MUST BE ACCEPTABLE TO CITY ENGINEER.
2. CASING SPACER SHALL BE AS MANUFACTURED BY CASCADE WATERWORKS MANUFACTURING COMPANY, MODEL CCS, OR APPROVED EQUAL.
3. CASING SPACERS SHALL NOT BE PAID DIRECTLY BUT SHALL BE CONSIDERED SUBSIDIARY TO THE APPROPRIATE BID ITEM.
4. DO NOT USE WEDGES BETWEEN CARRIER PIPE AND CASING.
5. PRIOR TO INSERTING CARRIER PIPE, ANY WATER SHOULD BE PUMPED OUT OF CASING SO THAT NO MORE THAN A FEW INCHES OF WATER REMAINS.
6. ALL JOINTS IN ENCASEMENT SHALL BE RESTRAINED FOR WATER LINES ONLY UNLESS OTHERWISE DIRECTED BY THE CITY ENGINEER.



CITY OF HUTTO
CONSTRUCTION STANDARDS AND DETAILS
PIPE
ENCASEMENT
ENGINEERING & PUBLIC WORKS

DRAWING NO.	W14
UPDATED:	04/01/2019
DRAWN BY:	BB
SCALE:	N.T.S.
FILE NAME:	W14.DWG