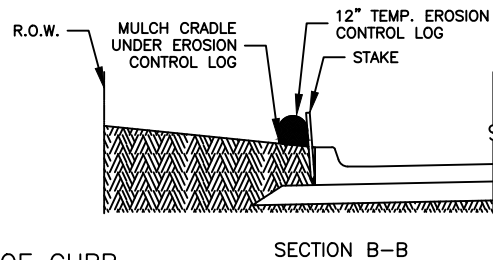
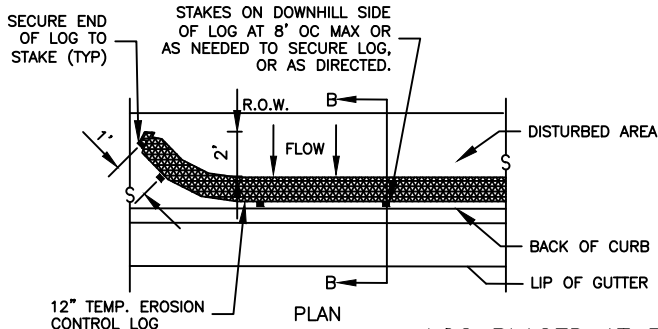
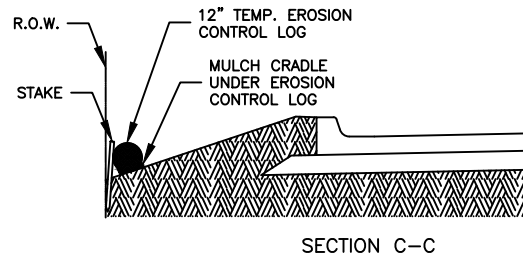
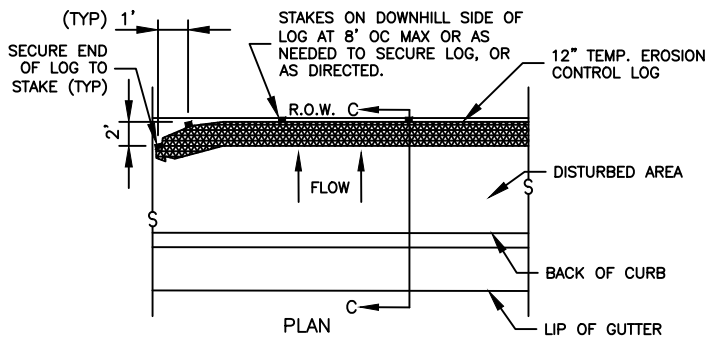


EROSION CONTROL LOG CHECK DAM



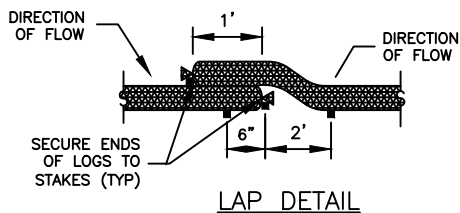
LOG PLACED AT BACK OF CURB



LOG PLACED AT EDGE OF RIGHT-OF-WAY

NOTES:

1. DAILY INSPECTION SHALL BE MADE BY THE CONTRACTOR AND SILT ACCUMULATION MUST BE REMOVED WHEN DEPTH REACHES 6".
2. CONTRACTOR SHALL MONITOR THE PERFORMANCE OF LOGS DURING RAINFALL EVENT FOR PROPER PERFORMANCE.
3. LOGS SHALL CONSIST OF 100% BIODEGRADABLE, PHOTODEGRADABLE OR RECYCLABLE CONTAINMENT MESH STUFFED WITH FILTER MATERIAL.
4. STUFF LOGS WITH SUFFICIENT FILTER MATERIAL TO ACHIEVE DENSITY THAT WILL HOLD SHAPE WITHOUT EXCESSIVE DEFORMATION. FILTER MATERIAL SHALL CONSIST OF MULCH, ASPEN EXCELSIOR WOOD FIBERS, CHIPPED SITE VEGETATION, COCONUT FIBERS, 100% RECYCLABLE FIBERS, OR ANY OTHER ACCEPTABLE MATERIAL, EXCLUDING STRAW AND HAY.
5. STAKES SHALL BE 2" X 2" WOOD, 4' LONG, EMBEDDED SUCH THAT 2" PROTRUDES ABOVE LOG, OR AS DIRECTED.



CITY OF HUTTO
CONSTRUCTION STANDARDS AND DETAILS

EROSION
CONTROL LOG
ENGINEERING & PUBLIC WORKS

DRAWING NO. ESC14

UPDATED: 02/01/2019

DRAWN BY: BB

SCALE: N.T.S.

FILE NAME: ESC14.DWG