

PLACE A 6" LAYER OF TOPSOIL
FOR SEEDING OR SODDING

FINISHED GRADE

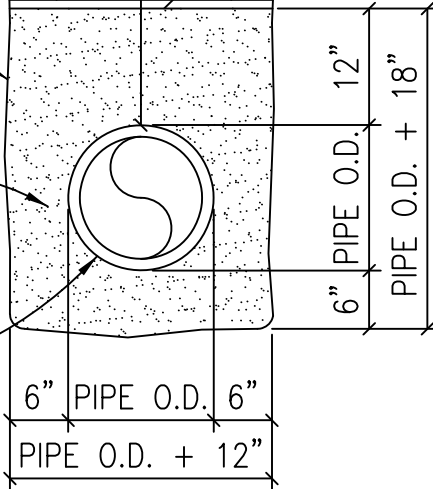
COMPACTED SELECT COMMON FILL
8" LIFTS (MAX.)

48" MIN.

UNDISTURBED TRENCH WALL

** BEDDING SHALL BE REQUIRED
AS PER BEDDING SPECIFICATIONS.

WASTEWATER LINE
(SDR-26 PVC)



**** TYPICAL BEDDING SPECIFICATIONS:**

SIEVE SIZE	3/8" F % RETAINED	1/2" D % RETAINED
1/2"	0	0
3/8"	0-2	5-25
4m	40-85	80-100
10m	95-100	96-100

NOTE:

IF GROUND WATER IS PRESENT IN THE TRENCH, THE BEDDING MATERIAL SHOULD BE SURROUNDED BY FILTER FABRIC (MIRAFI 140N OR EQUIVALENT) ON ALL SIDES TO PREVENT SOIL INFILTRATION INTO THE BEDDING MATERIAL.



CITY OF HUTTO
CONSTRUCTION STANDARDS AND DETAILS
TRENCH & EMBEDMENT
UNDER NON-PAVED AREAS
ENGINEERING & PUBLIC WORKS

DRAWING NO.	WW16
UPDATED:	08/12/2021
DRAWN BY:	BB
SCALE:	N.T.S.
FILE NAME:	WW16.DWG